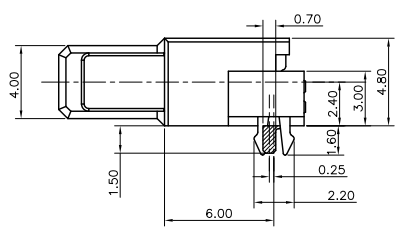
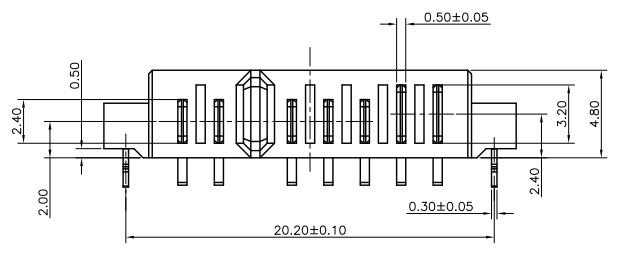


RECOMMENDED PCB LAYOUT
GENERAL TOLERANCE ±0.05



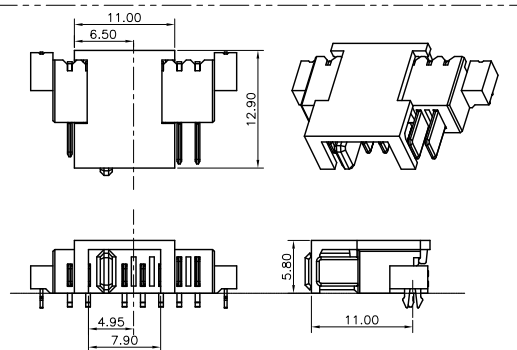
NOTES:

1. MATERIAL:
 - 1.1 HOUSING: THERMOPLASTIC, HIGH TEMP.,UL94V-0.
 - 1.2 CONTACT: COPPER ALLOY.
 - 1.3 FITTING NAIL: COPPER ALLOY.
2. FINISH:
 - 2.1 CONTACT:
 - 50~100u" MIN. NICKEL UNDERPLATING OVERALL.
 - 1u" GOLD PLATED ON CONTACT PLATING
 - 2.2 SOLDER:
 - 50~100u" MIN. NICKEL UNDERPLATING OVERALL.
 - 100~200u" MATTE TIN ON SOLDER PLATING
 - 2.3 FITTING NAIL:
 - 50~100u" MIN. NICKEL UNDER PLATING OVER ALL
 - 100u" MIN. MATTE TIN PLATING OVER ALL
3. REFLOW SOLDER CAPABLE TO 260°C
PER ACES SPEC.
4. SPEC.PLS REFER TO PS-53026-XXXX-XXX
5. PACKAGE PLS REFER TO 53026-XXXX-03-TRP
6. PART NUMBER

53026-XXX X X-XXX

CKTS	XXX	COLOR
PACKING	001	BLACK

- 7:TAPE&REELWITH COVER 2: GOLD FLASH ON CONTACT(LEAD FREE)
8:TUBE WITH COVER



一般公差 TOLERANCES X ±0.5 XX ±0.15 .X ±0.25 .XXX ±0.1 ANGLES ±2°		宏致電子股份有限公司 Aces Electronic Co.,Ltd.	
檢驗尺寸標示 SYMBOLS (M) (P) INDICATE CLASSIFICATION DIMENSION (M) MARK IS CRITICAL DIM. (P) MARK IS MAJOR DIM.	品名 (TITLE) 2.0mm PITCH BATTERY DIP R/A MALE 圖號 (DWG.NO) 53026-XXXXX-XXX	製圖 (DR) SHM 12/07/20 審核 (CHKD) CARL 核准 (APPD) JASON	張數 (SHEET) 1 OF 1 比例 (SCALE) 4:1 單位 (UNITS) mm 圖號 (DWG.NO)
表面處理 (FINISH)	比例 (SCALE) 4:1 單位 (UNITS) mm	圖號 (DWG.NO)	張數 (SHEET) 1 OF 1 尺寸 (SIZE) A4 版本 (REV) 0